

DECAL LOCATION

Your H&S Manure Spreader was manufactured with operator safety in mind. Located on the manure spreader are various decals to aid in operation, and warn of danger or caution areas. Pay close attention to all the decals on your Manure Spreader.



DO NOT REMOVE ANY OF THESE DECALS. IF DECALS ARE LOST, DAMAGED, OR IF MANURE SPREADER IS REPAINTED, REPLACE DECALS. REMEMBER: DECALS ARE FOR YOUR PROTECTION AND INFORMATION.

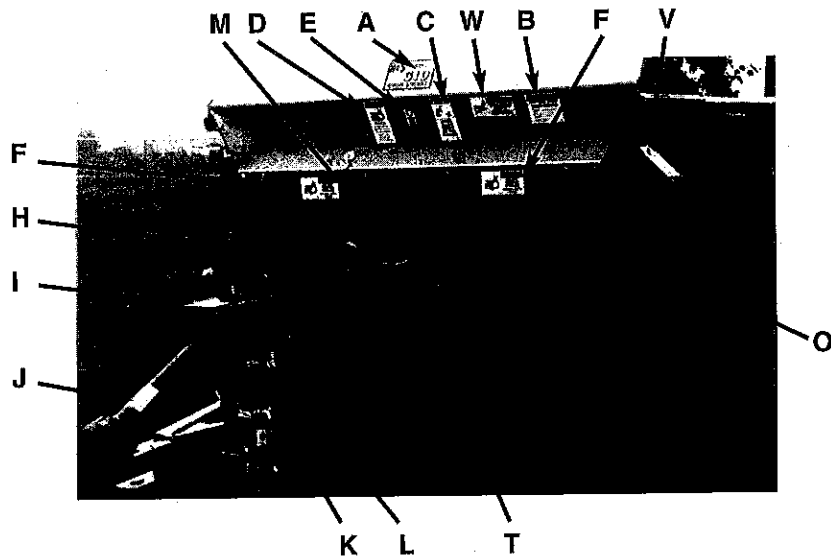
Listed below are the decals on your Manure Spreader. These decals may be ordered individually by part number or by ordering a complete set.

ITEM	PART NO.	DESCRIPTION
A	1086 F	(3) Model 310
	4887A	(3) Model 370
	82090	(3) Model 430
B	5896A	Warning - Help Avoid Injury
C	9194B	Danger - Never Allow Riders
D	1494J	(2) Warning - Do Not Clean or Work
E	FEMA	
F	1494B	(2) Warning - Do Not Remove Shields
G	71188C	(2) Grease
H	12794	(2) Warning - Do Not Remove Shields
I	9194A	Danger - No Step
J	Weasler	Danger - Rotating Driveline (H&S Decal 1494L)
K		Serial Number
L	1494A	(3) Warning - Do Not Operate
M	71188H	Beater/Apron Control
N		H&S Metal Sign (12"x24")
O		H&S Metal Sign (9"x18")
P	112-11176	(2) Shear Bolts
Q	111593C	(2) Danger - Stay Clear of Endgate Arms
R	111593A	(2) Danger - Stay Clear of Beater
S		(2) Red Reflector
T	71188B	Jack Storage Position
U	82290	Poly Bonded Lifetime Warranty
V	1494K	(2) Warning - Do Not Remove Shields
W	11599	Warning - Stay Clear of Leaks
X	71494A	(3) Warning - Do Not Operate
Y	3494A	(2) Remote Grease - Axle Pivot
	310-7698	Complete Set of Decals - Model 310
	370-7698	Complete Set of Decals - Model 370
	430-7698	Complete Set of Decals - Model 430

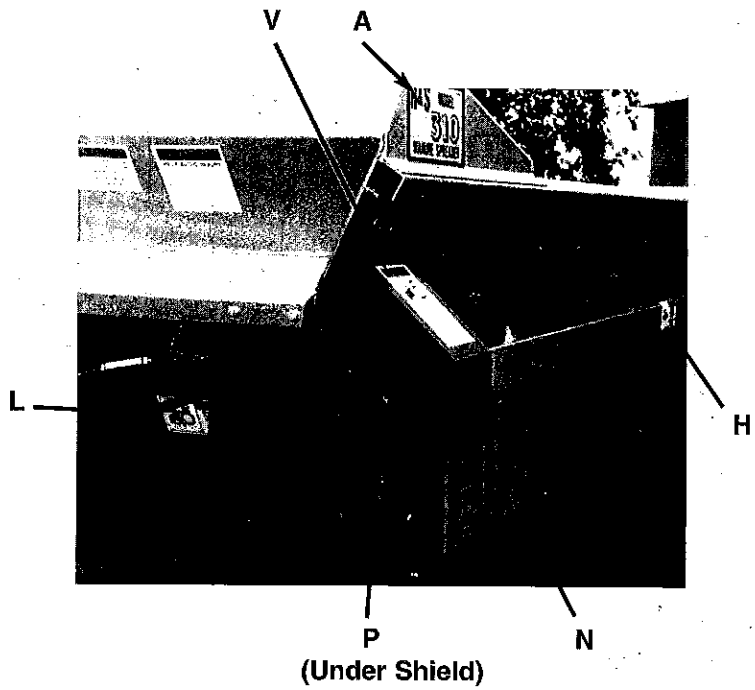
Paint - H & S Red

ZX21
ZX22
ZX23

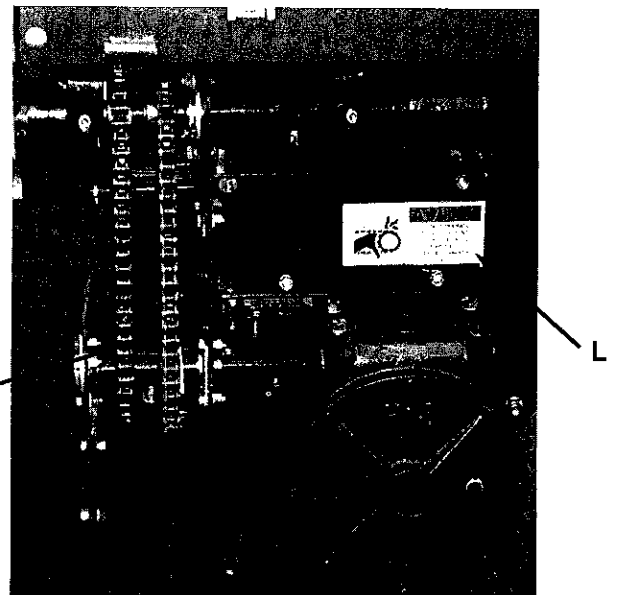
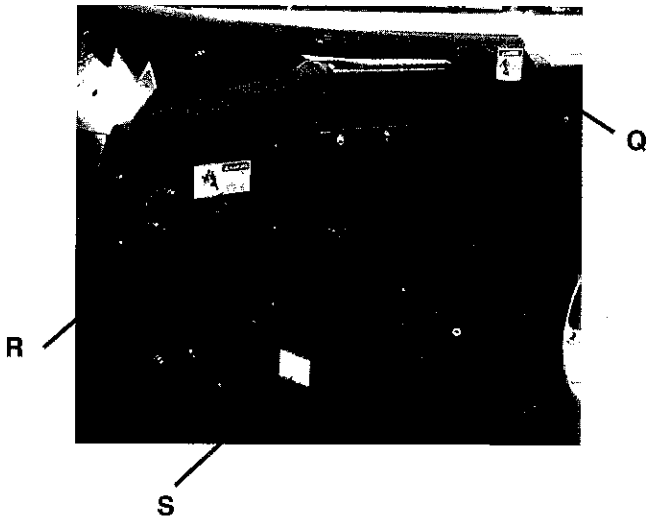
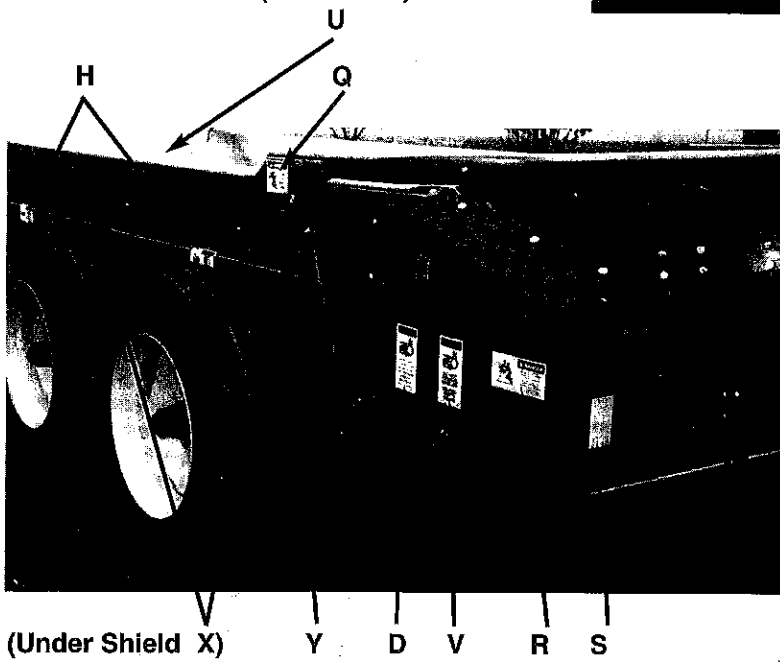
Gallon
Quart
Pint



Shields Removed
For Clarity



(Inside Box)



Shield Removed for Clarity

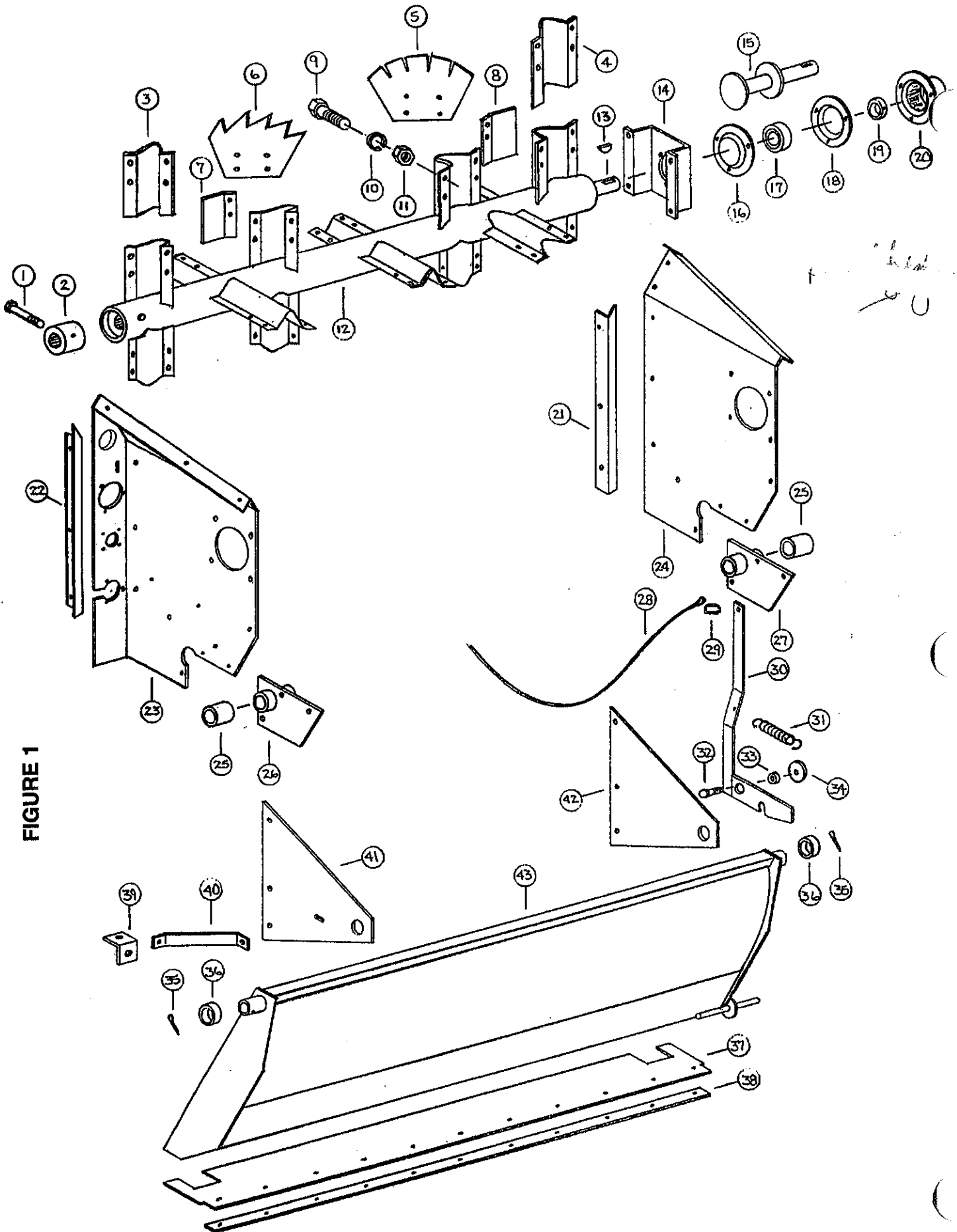


FIGURE 1

FIGURE 1
H&S MODELS 310, 370 & 430
BEATER AND PAN ASSEMBLY
SPREADER MODEL & PART NO.

ITEM	310	370	430	DESCRIPTION
1	23N1	"	"	5/16" x 5" GR.5 Bolt
2	23N2	"	"	Splined Beater Insert
3	23N3	"	"	Beater Blade Holder LH
4	23N4	"	"	Beater Blade Holder RH
5	23N276	"	"	Beater Blade - Hardened
6	23N277	"	"	Beater Blade - Hardened
7	23N7	"	"	Beater Blade Wiper LH
8	23N8	"	"	Beater Blade Wiper RH
9	R10	"	"	1/2" x 1-1/4" Bolt GR.5
10	R35	"	"	1/2" Lock Washer
11	R11	"	"	1/2" Lock Nut
12	23N9	"	"	Beater
13	5B9	"	"	3/8" x 1-1/4" Woodruff Key
14	23N10	"	"	Beater Shaft Support
15	23N11	"	"	Beater Stub Shaft
16	F116	"	"	Bearing Flange (Heavy Duty)
17	F115	"	"	Bearing (Grease Type)
18	F114A	"	"	Bearing Flange w/Zerk 45°
19	F16	"	"	Lock Collar
20	23N12	"	"	Bearing Flange Guard
21	23N13	37N1	37N1	RH Side Poly Hold down
22	23N14	37N2	37N2	LH Side Poly Hold down
23	23N175	37N50	37N50	LH Main Panel
24	23N16	37N4	37N4	RH Main Panel
25	23N17	"	"	Drive Shaft Bushing
26	37N78	"	"	Drive Shaft Bracket LH
27	23N19	"	"	Drive Shaft Bracket RH
28	31N1	37N5	37N5	Pan Trip Rope
29	R31	"	"	Clip
30	23N21	"	"	Pan Trip Lever
31	R27	"	"	Spring
32	23N22	"	"	1/2" x 1-1/2" Carriage Bolt
33	23N23	"	"	Trip Lever Spacer
34	A34	"	"	1/2" Flat Washer
35	R70	"	"	Cotter Pin
36	F112	"	"	Spacer
37	23N24	"	"	Pan Rubber Flap
38	23N25	"	"	Pan Strap
39	23N26	"	"	Pan Brace Angle
40	23N27	"	"	Pan Support Brace
41	23N28	"	"	LH Pan Support
42	23N29	"	"	RH Pan Support
43	23N30	"	"	Pan

NOTE: " (SAME PART NO. AS MODEL 310)

FIGURE 2

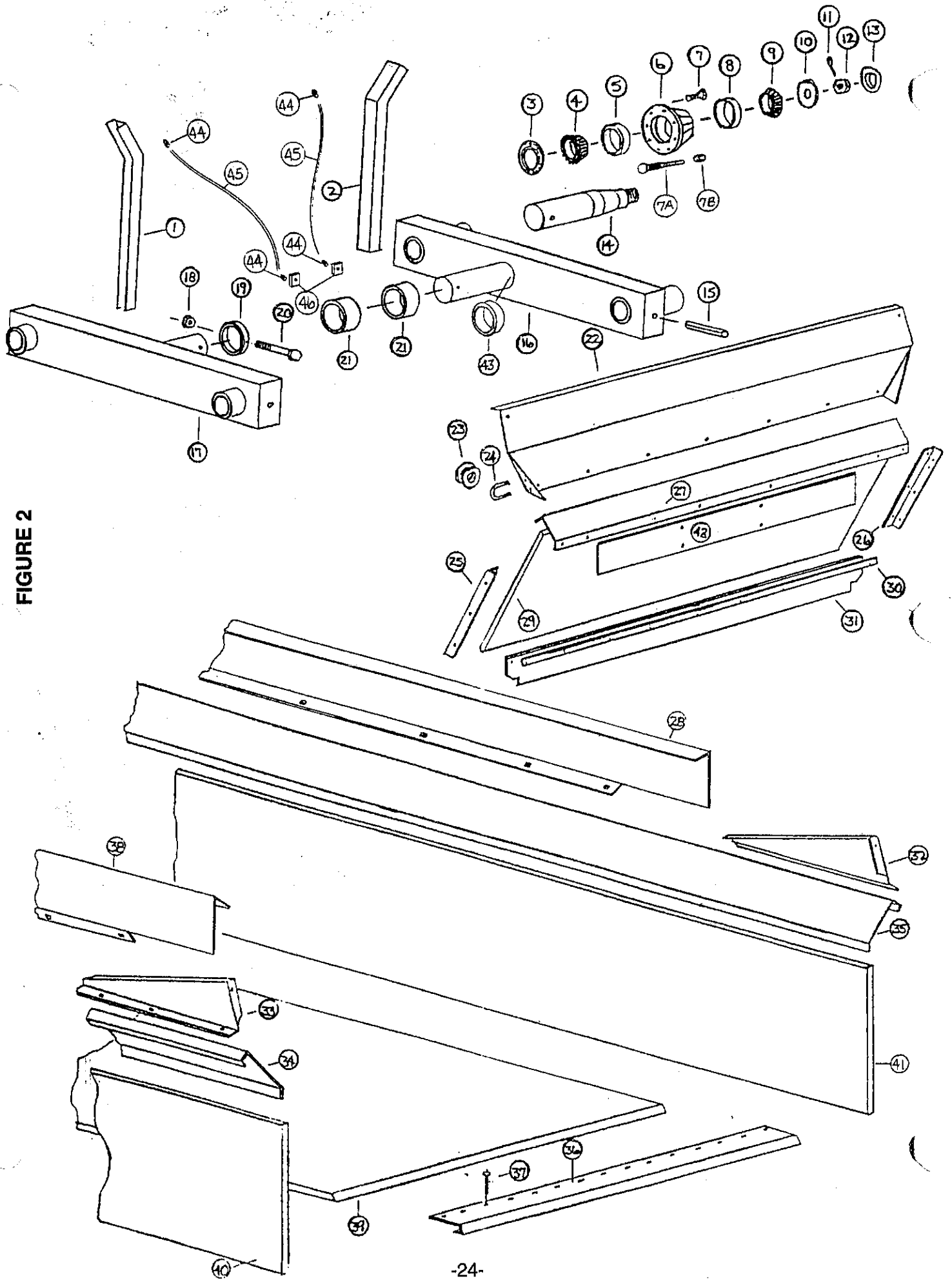


FIGURE 2
H&S MODELS 310, 370 & 430
SPINDLE, HUB AND BOX PARTS
SPREADER MODEL & PART NO.

ITEM	310	370	430	DESCRIPTION
1	23N31	37N6	37N6	RH Side Stake
2	23N32	37N7	37N7	LH Side Stake
3	B8	B90	B90	Seal
4	B7	B91	B91	Inner Bearing
5	B7A	B91A	B91A	Inner Race
6	B6	B92	B92	Hub
7	B32	B93	B93	Hub Bolt
7A	-	26G5	26G5	Stud Bolt
7B	-	26G6	26G6	Lug Nut
8	B5A	B94A	B94A	Outer Race
9	B5	B94	B94	Outer Bearing
10	B4	"	"	Washer
11	B31	"	"	Cotter Pin
12	B3	"	"	Nut
13	B2	"	"	Hub Cap
14	31N2	37N8	-	Spindle
Not Shown	31N3	37N9	37N9	Spindle for 11 x 16.1 Wheel
15	31N4	"	"	Roll Pin 1/2" x 4"
16	31N5	37N10	37N10	Tandem Beam LH
17	31N6	37N11	37N11	Tandem Beam RH
18	9S17	"	"	1/2" Lock Nut
19	B60	"	"	Ring
20	B61	"	"	1/2" x 5" Bolt GR.5
21	B58	"	"	Bushing for Tandem Axle
22	23N34	"	"	Front Flare
23	F33	"	"	Rope Guide
24	F32	"	"	U-Bolt
25	23N35	37N12	37N12	RH Gate Angle
26	23N36	37N13	37N13	LH Gate Angle
27	23N176	"	"	Front Flare Support
28	-	-	43N1	Side Extension LH
29	23N270	37N65	37N65	Front Gate Plywood with Poly
30	23N40	"	"	Strap for Rubber
31	23N41	"	"	Front Gate Rubber
32	23N42	"	"	Splash Guard Side LH
33	23N43	"	"	Splash Guard Side RH
34	31N24	37N16	43N3	RH Side Flare
35	31N25	37N17	43N4	LH Side Flare
36	23N46	"	"	Front Poly Floor Hold down
37	B106	"	"	Bolts for Poly Floor
38	-	-	43N2	Side Extension RH
39	31N30	37N66	37N66	Floor Plywood with Poly
40	31N31	37N67	37N67	RH Side Plywood with Poly
41	31N32	37N68	37N68	LH Side Plywood with Poly
42	-	37N51	37N51	Front Panel
43	-	B111	B111	Outer Bushing for Tandem Axle
44	S47	"	"	Grease Line Fitting
45	31N43	"	"	Grease Line
46	16V9	"	"	Grease Line Bracket
Not Shown	B35	"	-	Wheel 8 x 20 (1988 and Prior)
Not Shown	23N161	"	"	Wheel 11 x 16.1
Not Shown	B96	"	-	Tire 10.00 x 20 (1988 and Prior)
Not Shown	23N54	"	"	Tire 16.5 x 16.1
Not Shown	23N179	"	-	Wheel 8 x 22.5
Not Shown	23N180	"	-	Tire 10.00 x 22.5
Not Shown	31N26	37N52	37N52	Complete Frame

NOTE: " (SAME PART NO. AS MODEL 310) - (PART IS NOT USED ON THIS MODEL)

FIGURE 3

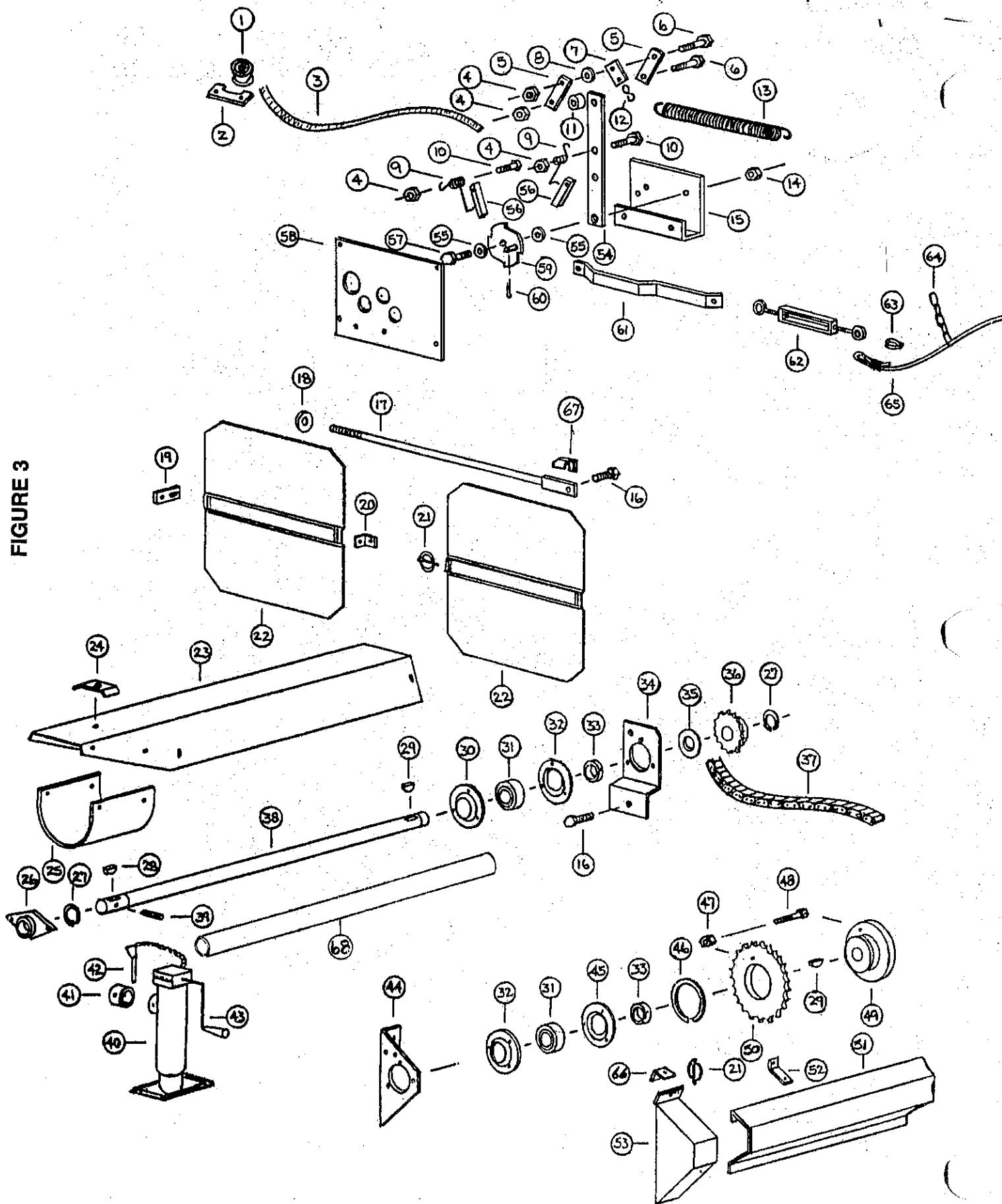


FIGURE 3
H&S MODELS 310, 370 & 430
FRONT SHIELD AND DRIVE ASSEMBLY
SPREADER MODEL & PART NO.

ITEM	310	370	430	DESCRIPTION	ITEM	310	370	430	DESCRIPTION
1	F33	"	"	Cable Guide	Not Shown	12N9	"	"	Jack Gear Replacement Kit
2	23N182	"	"	Bracket	41	12N14	"	"	Jack Mount
3	23N183	"	"	Rope	42	12N13	"	"	Jack Pin
4	K93	"	"	3/8" Lock Nut	43	12N12	"	"	Handle
5	23N184	"	"	Bracket	44	23N74	"	"	Bearing Plate
6	B67	"	"	3/8" x 1-1/4" Bolt	45	F114A	"	"	Flange
7	23N185	"	"	Spring Bracket	46	23N189	"	"	Snap Ring
8	X67	"	"	3/8" Flat Washer	47	D81	"	"	Lock Nut
9	23N186	"	"	Dog Spring	48	D31	"	"	Shear Bolt <i>5/16 x 1/4</i> <i>GRADE 2</i>
10	A15	"	"	3/8" x 1" Bolt	49	23N190	"	"	Shear Hub
11	D107	"	"	Spacer	50	23N191	"	"	30T Sprocket
12	X79	"	"	S-Hook	51	31N17	37N27	37N27	Side Shield
13	23N187	"	"	Spring	52	23N79	"	"	Bracket
14	R29	"	"	Nut	53	23N80	"	"	Shield
15	23N188	"	"	Shifter Bracket	54	23N192	"	"	Front Shifter Arm
16	R10	"	"	Bolt	55	K68	"	"	Washer
17	23N63	"	"	Tightener Rod	56	23N193	"	"	Dog
18	F129	"	"	Washer	57	23N194	"	"	Bolt
19	23N64	"	"	Bracket	58	23N195	"	"	Shifter Panel 61
20	F92	"	"	Shield Bracket	59	23N196	"	"	Speed Selector
21	F56	"	"	Clip Pin	60	X43	"	"	Cotter Pin
22	23N65	"	"	Front Shield	61	23N197	"	"	Shifter Arm
23	23N66	"	"	Shield	62	F84	"	"	Turnbuckle
24	23N67	"	"	Tailgate Hose Bracket	63	F44	"	"	Cable Loop
Not Shown	HE42	"	"	Hydraulic Drive Bracket	64	23N198	37N64	37N64	Cable Chain
25	F54	"	"	Shield	65	31N27	37N53	37N53	Cable
26	12N29	"	"	Bearing	66	23N242	F92	F92	Shield Bracket
27	F73	"	"	Snap Ring	67	23N278	"	"	Spacer
28	5B10	"	"	1/4" x 1" Key	68	37N74	"	"	Front Shaft Guard
29	5B9	"	"	3/8" x 1-1/4" Key					
30	F114	"	"	Flange w/Zerk					
31	F115	"	"	Bearing (Grease Type)					
32	F14	"	"	Bearing Flange					
33	F16	"	"	Lock Collar					
34	23N68	"	"	Front Adjustment Plate					
35	23N69	"	"	Spacer					
36	23N70	"	"	25T Sprocket					
*	37N72	"	"	16T Sprocket (Optional 1,000 RPM)					
37	23N71	"	"	#60 Roller Chain 122 Pitches					
38	23N72	"	"	Front Shaft					
39	F26	"	"	5/16" x 2-1/4" Roll Pin					
40	27N14	"	"	Jack					

NOTE: " (SAME PART NO. AS MODEL 310)
*** (MEANS NOT SHOWN)**

FIGURE 4

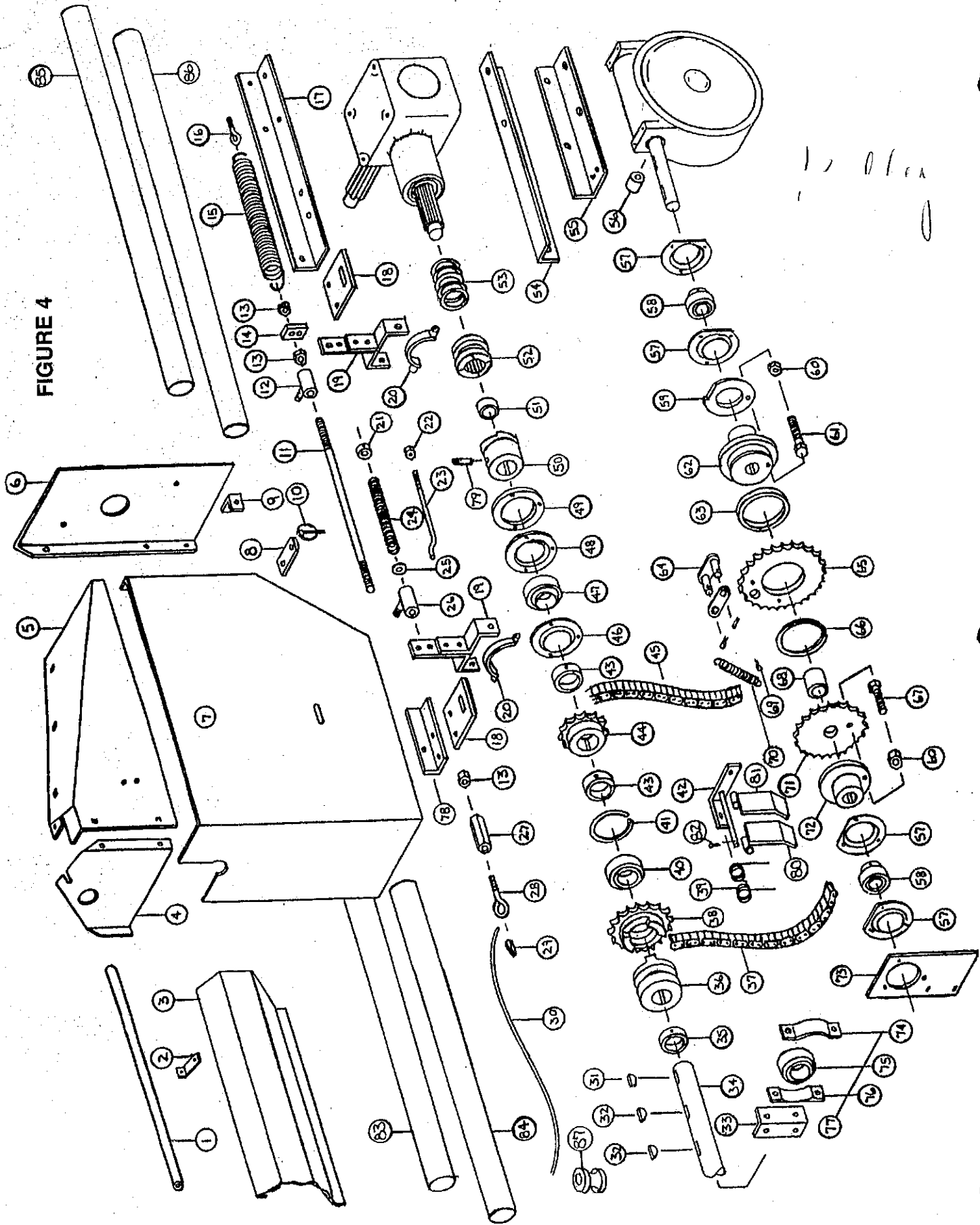


FIGURE 4
H&S MODELS 310, 370 & 430
BACK SHIELDS AND DRIVE ASSEMBLY
SPREADER MODEL & PART NO.

ITEM	310	370	430	DESCRIPTION	ITEM	310	370	430	DESCRIPTION
1	23N200	"	"	Cable Guard	47	F115	"	"	Bearing
2	23N79	"	"	Side Shield Bracket	48	F14	"	"	Flange
3	31N28	37N54	37N54	Side Shield	49	23N174	"	"	Flange Spacer
4	23N201	37N55	37N55	Shield	50	23N241	"	"	Clutch
5	23N202	37N56	37N56	Back Shield Top	51	D68	"	"	Bronze Bushing
6	23N203	37N57	37N57	Back Shield	52	23N90	"	"	Clutch
7	23N204	"	"	Cover	53	23N89	"	"	Spring
8	23N96	"	"	Shield Bracket	54	23N88	"	"	Bottom Angle
9	-	F92	F92	Angle	55	23N95	"	"	Worm Box Holder
10	F56	"	"	Clip Pin	56	23N94	"	"	Spacer
11	23N205	"	"	Clutch Rod	57	X85	"	"	Flange
12	23N206	"	"	Shifting Rod Bracket	58	23N221	"	"	Bearing
13	K60	"	"	3/8" Nut					w/Setscrews
14	23N207	"	"	Spring Bracket	59	23N222	"	"	Shear Plate
15	K103	"	"	Spring	60	D65	"	"	Lock Nut
16	K79	"	"	I-Bolt	61	23N223	"	"	Shear Bolt
17	23N85	"	"	Top Angle	62	23N224	"	"	Shear Hub
18	23N86	"	"	Shifter Bracket	63	23N225	"	"	Bronze Ring
19	D57	"	"	Shifter Lever	64	F157	"	"	Connector Link
20	23N208	"	"	Yoke w/Zerk					w/Pins
21	23N209	"	"	Collar	65	23N226	"	"	30T Sprocket
22	D65	"	"	Lock Nut	66	23N227	"	"	Snap Ring
23	23N210	"	"	Shifting Rod	67	23N223	"	"	Shear Bolt
24	23N211	"	"	Spring	68	23N228	"	"	Spacer
25	X67	"	"	Washer	69	X43	"	"	Cotter Pin
26	23N206	"	"	Rod Bracket	70	23N229	"	"	Dog Spring
27	23N212	"	"	Coupling Nut	71	D64	"	"	25T Sprocket
28	23N213	"	"	I-Bolt	72	D63	"	"	Shear Hub
29	F44	"	"	Cable Loop	73	23N230	"	"	Bearing Panel
30	31N27	37N53	37N53	Cable	74	12N34	"	"	Bearing Cover
31	5B9	"	"	3/8" x 1-1/4" Woodruff	75	12N33	"	"	Bearing
				Key	76	12N35	"	"	Holder
32	5B10	"	"	1/4" x 1" Woodruff	77	12N36	"	"	Bearing
				Key	78	23N239	"	"	Shifter Support
33	23N97	"	"	Side Bearing Bracket	79	23N240	"	"	Setscrew
34	31N29	37N58	37N58	Side Shaft	80	31N34	"	"	LH Tightener Bar
35	F6	"	"	Collar	81	31N35	"	"	RH Tightener Bar
36	23N215	"	"	Clutch Throw-Out	82	X43	"	"	Cotter Pin
37	23N93	"	"	#50 Chain 60	*	X60	"	"	#50 Offset
				Pitches	*	X61	"	"	#50 Conn.
38	23N216	"	"	Clutch Sprocket	*	31N38	"	"	Chain Tightener Assembly
39	31N33	"	"	Spring Tightener	83	31N44	37N76	"	#2 Side Shaft Guard
40	23N218	"	"	Bearing	84	31N45	37N75	"	#1 Side Shaft Guard
41	3G19	"	"	Snap Ring	85	-	37N76	"	#4 Side Shaft Guard
42	31N36	"	"	Tightener Bracket	86	31N46	37N77	"	#3 Side Shaft Guard
43	F16	"	"	Lock Collar	87	F33	"	"	Cable Guide
44	10R11	"	"	13T Sprocket					
45	23N220	"	"	#50 Chain 59					
				Pitches					
46	F114A	"	"	Flange					

NOTE: " (SAME PART NO. AS MODEL 310)
- (PART IS NOT USED ON THIS MODEL)
*** (MEANS NOT SHOWN)**

FIGURE 5

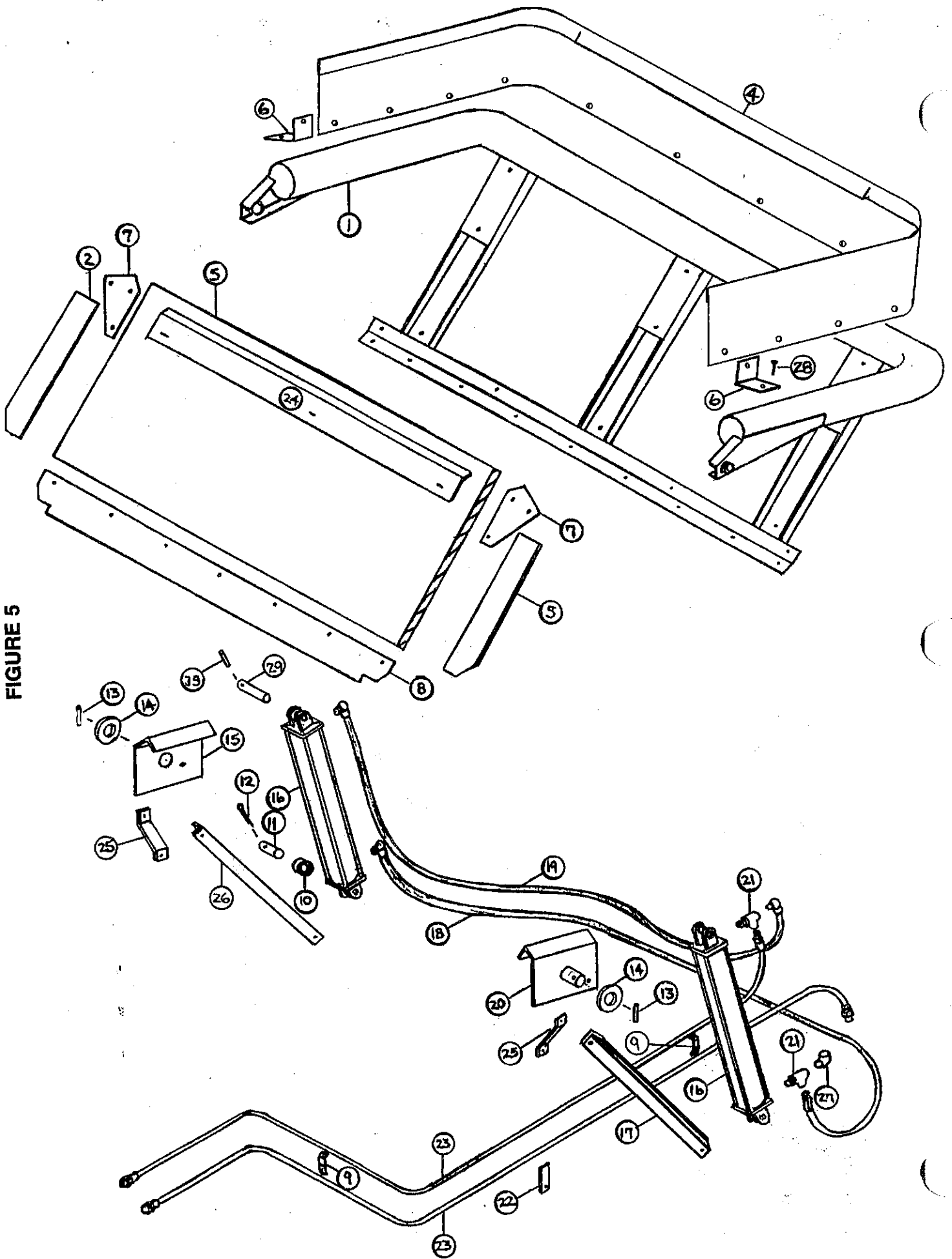


FIGURE 5
H & S MODELS 310, 370 & 430
HYDRAULIC TAILGATE ASSEMBLY
SPREADER MODEL & PART NO.

ITEM	310	370	430	DESCRIPTION
1	23N298	37N79	"	Tailgate Frame
2	23N99	37N35	37N35	RH Side Rubber
3	23N100	37N36	37N36	LH Side Rubber
4	-	-	43N5	Back Extension
5	31N37	37N69	37N69	Tailgate Plywood with Poly
6	-	-	43N6	Extension Angle
7	23N104	"	"	Tailgate Corner
8	23N105	"	"	Bottom Rubber
9	23N67	"	"	Hose Bracket
10	K132	"	"	Spacer
11	23N107	"	"	Cylinder Pin
12	23N108	"	"	Cotter Pin
13	3G22	"	"	Roll Pin 5/16"x1-3/4"
14	23N109	"	"	Washer
15	23N299	"	"	RH Tailgate Mount
16	23N111	"	"	Hydraulic Cylinder
17	23N231	37N59	37N59	Brace
18	23N113	37N60	37N60	Hose (23N113-96" / 37N60-108")
19	23N114	37N61	37N61	Hose (23N114-138" / 37N61-152")
20	23N300	"	"	LH Tailgate Mount
21	23N116	"	"	Tee
22	23N117	"	"	Hose Holder
23	31N47 31N50	37N80	37N80	Hose (31N47-306" / 37N80-318")
24	23N163	"	"	Tailgate Poly Hold down
25	23N232	"	"	Tailgate Bracket Brace
26	23N233	37N62	37N62	Tailgate Bracket Brace
27	23N234	"	"	90° Street Elbow 3/8"
28	-	-	12V3	Self Tapping Bolt
29	23N301	"	"	Cylinder Pin

NOTE: " (SAME PART NO. AS MODEL 310)
- (PART IS NOT USED ON THIS MODEL)

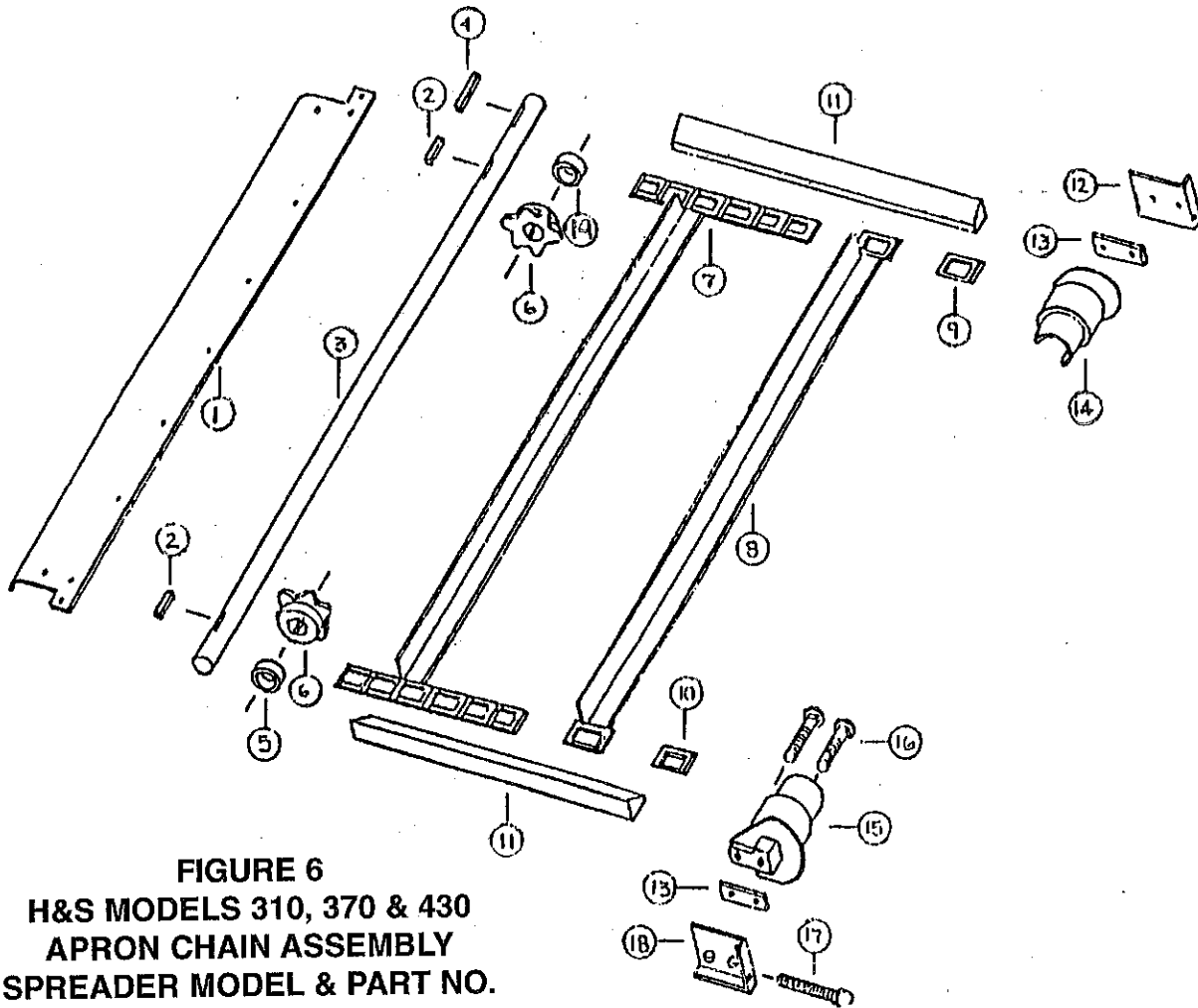


FIGURE 6
H&S MODELS 310, 370 & 430
APRON CHAIN ASSEMBLY
SPREADER MODEL & PART NO.

ITEM	310	370	430	DESCRIPTION
1	23N119	"	"	Rear Poly Hold down
2	A32	"	"	3/8" x 1-3/8" Square Key
3	27N19	"	"	Drive Shaft
4	S138	"	"	3/8" x 2-3/8" Square Key w/Round Ends
5	23N121	"	"	Spacer 5/8"
6	23N122	"	"	Drive Sprocket 6T
7	31N21	-	-	Apron Chain 26 Slats, 262 Links
8	23N124	37N42	37N42	Apron Chain 28 Slats, 280 Links
9	S55	"	"	Slat w/Attachment Links
10	S56	"	"	T-Rod Standard Link
11	31N22	37N43	37N43	T-Rod Connector Link
12	A30	"	"	Apron Chain Side Spacers
13	23N126	"	"	Chain Slide Plate LH
14	23N127	"	"	Chain Slide Spacer
15	23N128	"	"	T-Rod Slide LH
16	23N129	"	"	T-Rod Slide RH
17	23N130	"	"	1/2" x 4" Carriage Bolt GR.5
18	A29	"	"	1/2" x 4-1/2" Bolt GR.5
19	23N266	"	"	Chain Slide Plate RH
				Spacer 5/16"

NOTE: "(SAME PART NO. AS MODEL 310)
 - (PART IS NOT USED ON THIS MODEL)

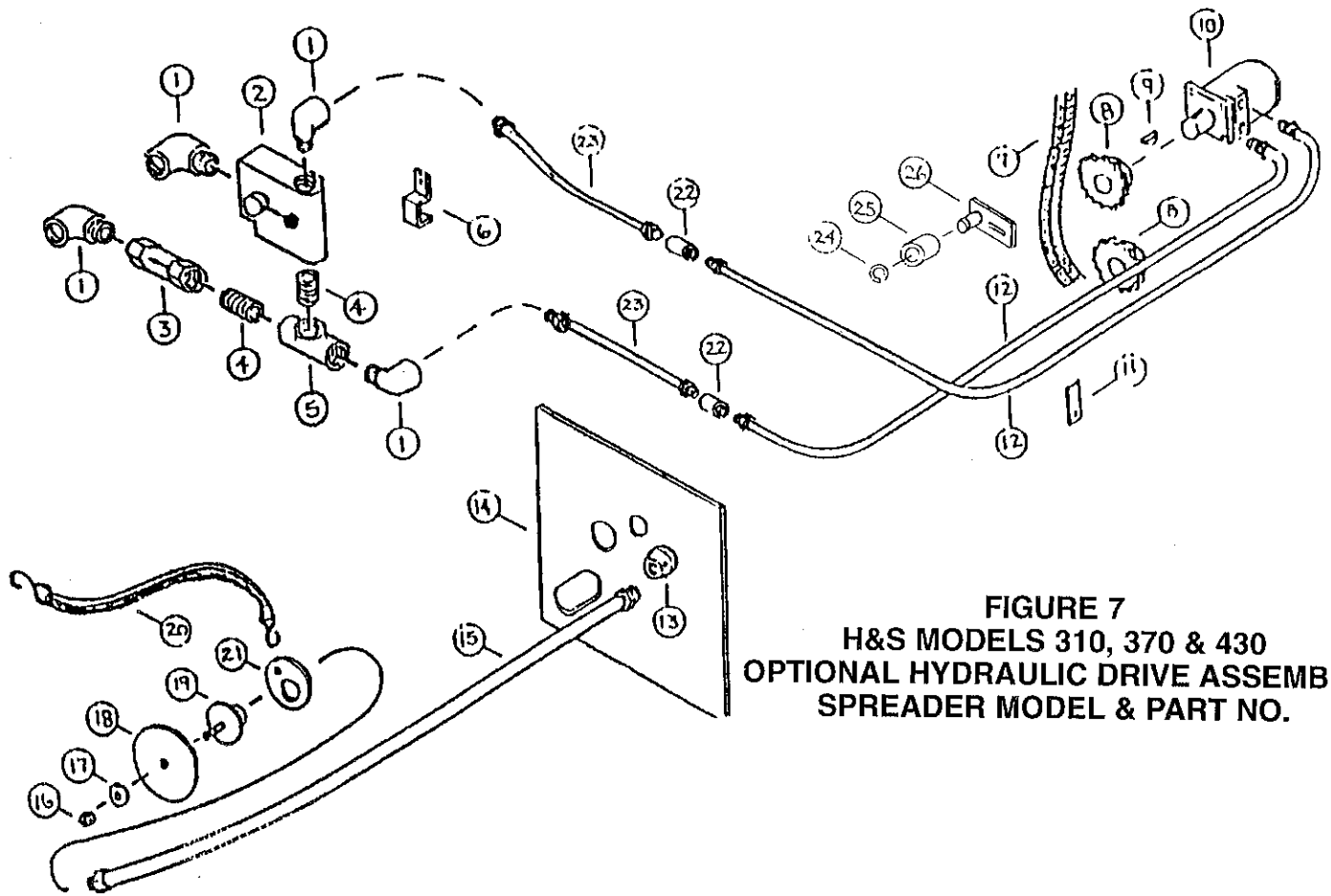


FIGURE 7
H&S MODELS 310, 370 & 430
OPTIONAL HYDRAULIC DRIVE ASSEMBLY
SPREADER MODEL & PART NO.

ITEM	310	370	430	DESCRIPTION
1	HE58	"	"	90° Street Elbow
2	DF15	"	"	Speed Control
3	DF18	"	"	Check Valve
4	DF7	"	"	Nipple
5	DF8	"	"	Tee
6	HE14	"	"	Hose Bracket
7	23N131	"	"	#50 Chain 40 Pitches
8	11S19	"	"	20T Sprocket
9	5B10	"	"	1/4" x 1" Woodruff Key
10	DF1	"	"	Hydraulic Motor
11	23N117	"	"	Hose Holder
12	23N132	"	"	Hydraulic Motor Hose
13	DF21	"	"	Reducer
14	23N133	"	"	Control Panel
15	DF9	"	"	Hose for Handle
16	K93	"	"	3/8" Lock Nut
17	DF12	"	"	Washer
18	DF11	"	"	Handle
19	DF10	"	"	Handle Bracket
20	DF14	"	"	Strap
21	DF22	"	"	Ring for Strap
22	31N23	"	"	Coupling
23	HE11	HE12	HE12	Hose
24	10R32	"	"	Snap Ring
25	23N238	"	"	Chain Tightener Roller
26	L10R35	"	"	Tightener Bracket

NOTE: " (SAME PART NO. AS MODEL 310)

FIGURE 8

12— COMPLETE GEAR BOX

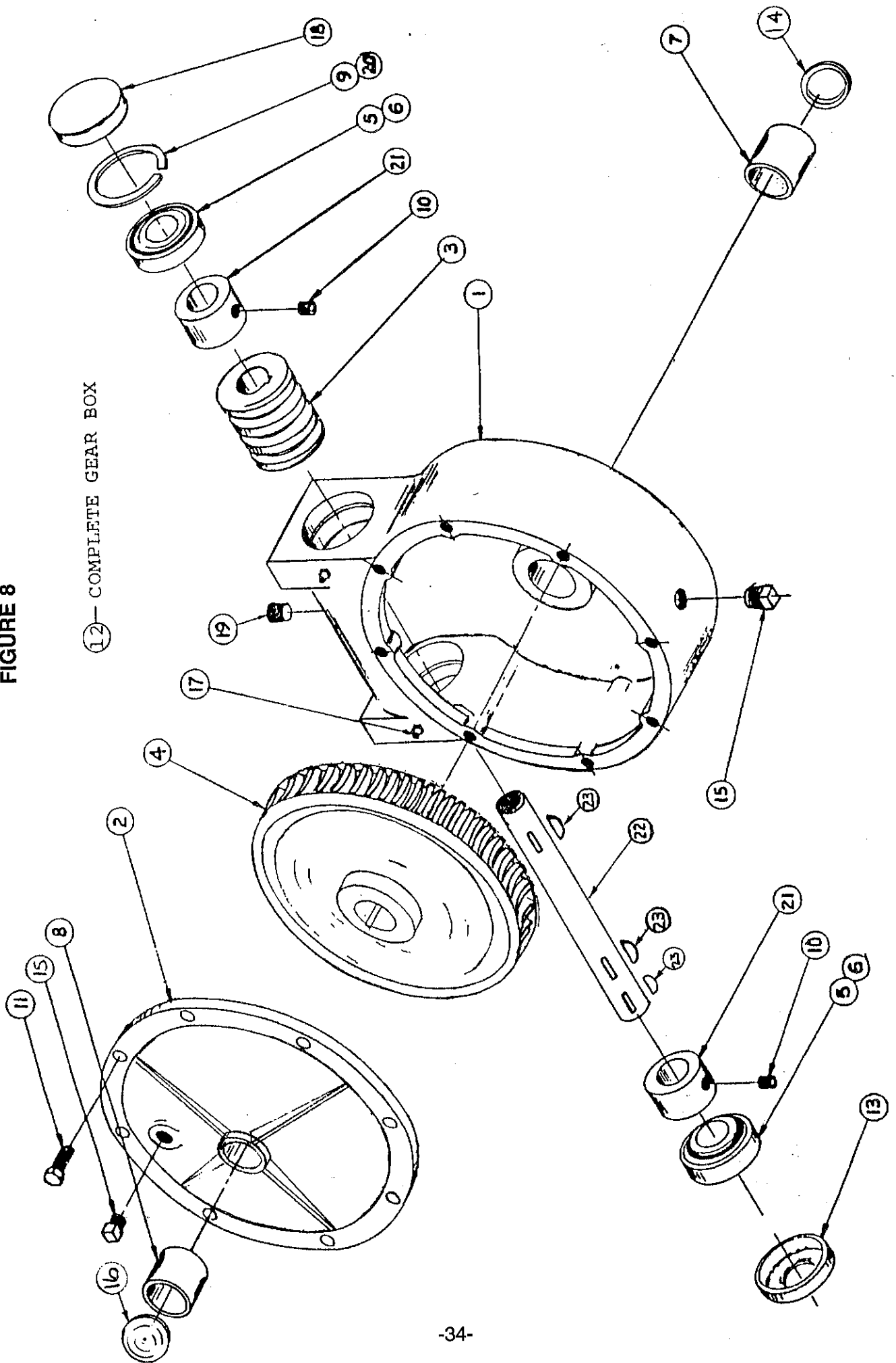


FIGURE 8
H&S MODELS 310, 370 & 430
WORM GEARBOX ASSEMBLY
SPREADER MODEL & PART NO.

ITEM	310	370	430	DESCRIPTION
1	G114	"	"	Housing
2	G116	"	"	Cover
3	G76	"	"	Worm
4	G77	"	"	Worm Gear
5	G78	"	"	Bearing #15101
6	G79	"	"	Bearing Cup #15245
7	X8	"	"	Bearing - Oil Lite
8	G81	"	"	Bearing - Oil Lite <i>BUSHING</i>
9	G82	"	"	Snap Ring
10	G83	"	"	Setscrew 3/8" NC x 3/8" Long
11	G84	"	"	Capscrew 3/8" NC x 1" Long
12	G122	"	"	Worm Gearbox Complete
13	G123	"	"	Seal
14	17G133	"	"	Seal
15	G65	"	"	Plug 3/8" NPT
16	G117	"	"	Cap 1-7/8"
17	G89	"	"	Zerk 1/4"-28
18	G90	"	"	Cap
19	G91	"	"	Vent Plug 3/8" NPT
20	G92	"	"	Shim
21	G93	"	"	Spacer
22	23N236	"	"	Worm Gear Shaft
23	5B10	"	"	1/4" x 1" Woodruff Key

NOTE: "(SAME PART NO. AS MODEL 310)

FIGURE 9
GEAR BOX COMPLETE

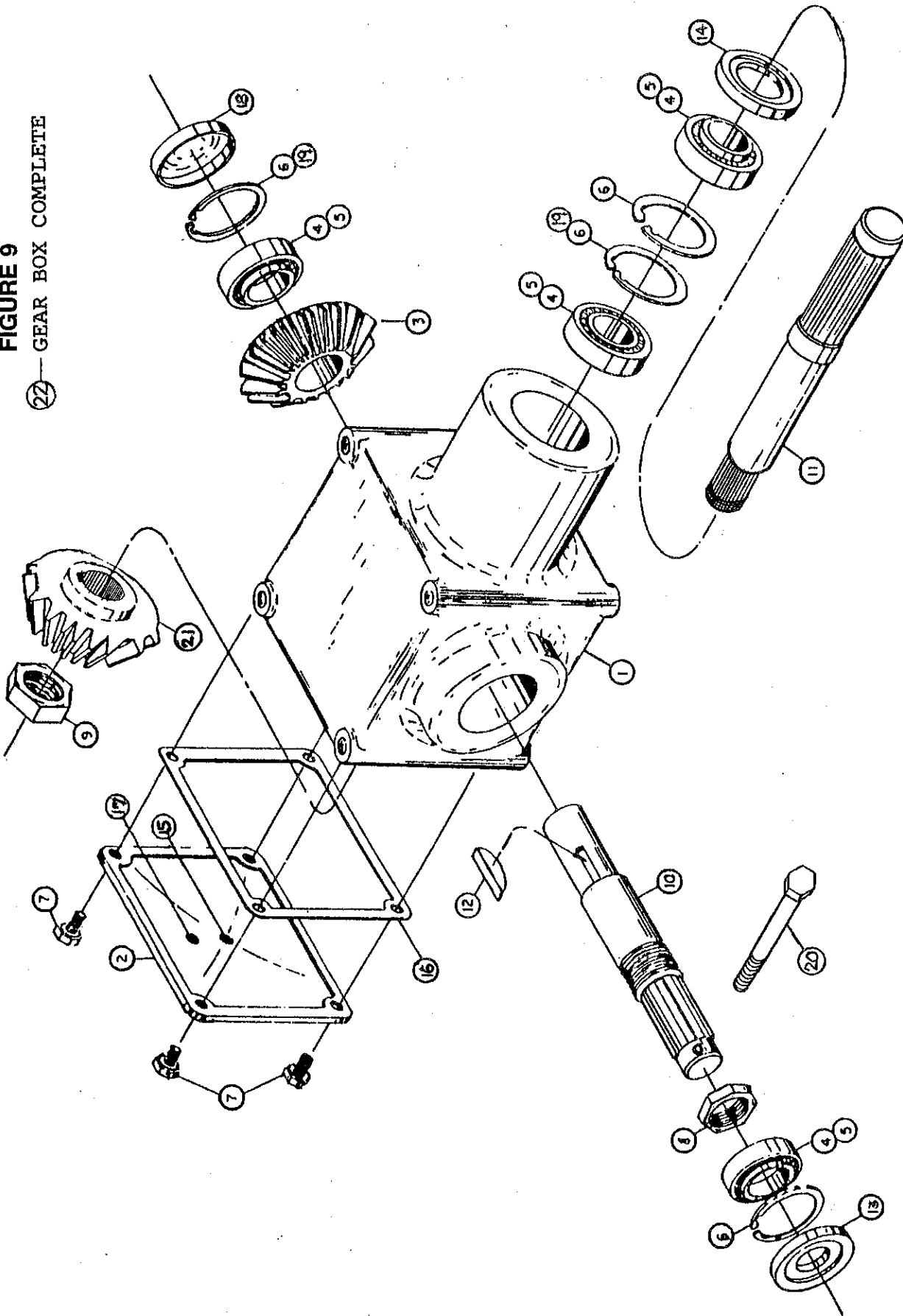


FIGURE 9
H&S MODELS 310, 370 & 430
BEVEL GEARBOX
SPREADER MODEL & PART NO.

ITEM	310	370	430	DESCRIPTION
1	G50	"	"	Housing
2	G51	"	"	Cover
3	23N136	"	"	Bevel Gear 24T
4	G53	"	"	Bearing #14137A
5	G54	"	"	Bearing Cup #14276
6	G55	"	"	Snap Ring
7	G56	"	"	Capscrew
8	G57	"	"	Stake Nut 1-1/2"
9	31N39	"	"	Stake Nut 1-1/8"
10	23N137	"	"	Shaft - Output
11	31N40	"	"	Shaft - Input Double Splined
12	G61	"	"	"E" (1210) Woodruff Key (Hard)
13	G63	"	"	Seal - Output
14	G64	"	"	Seal - Input
15	G65	"	"	Plug 3/8" NPT
16	G66	"	"	Gasket
17	G67	"	"	Plug 1/8" NPT
18	G68	"	"	Cap
19	G69	"	"	Shim
20	23N1	"	"	5/16" x 5 Bolt GR.5
21	31N41	"	"	Bevel Gear 16T-Splined
22	31N42	"	"	Bevel Gearbox Complete

NOTE: "(SAME PART NO. AS MODEL 310)

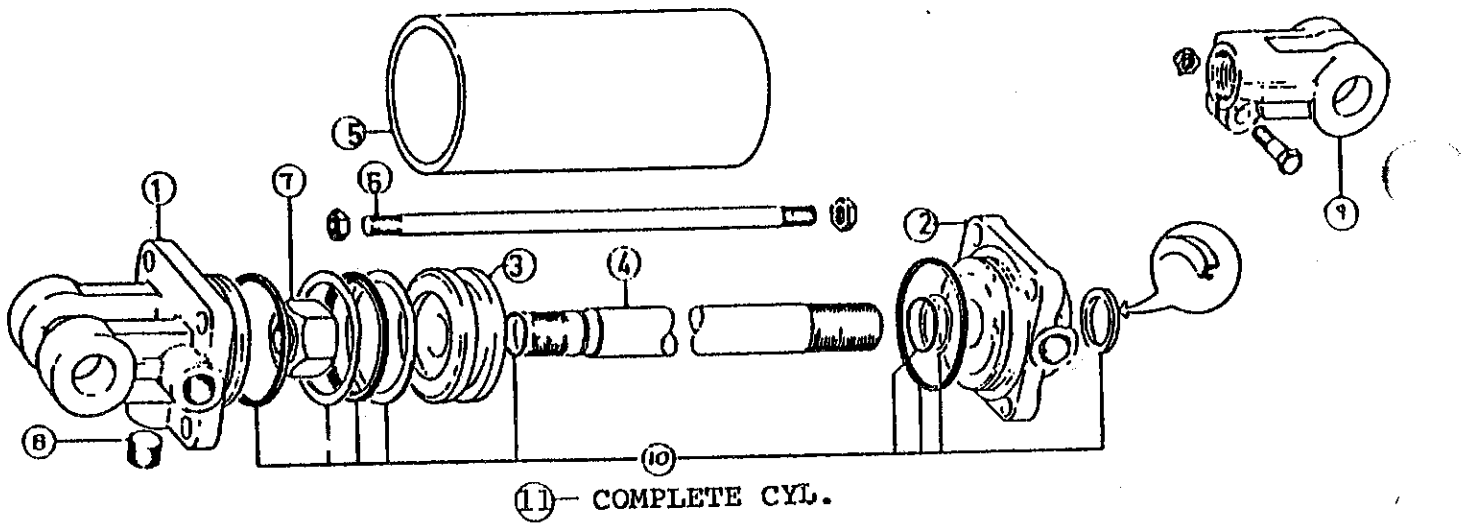


FIGURE 10
H&S MODELS 310, 370 & 430
HYDRAULIC CYLINDER
SPREADER MODEL & PART NO.

ITEM	310	370	430	DESCRIPTION
1	23N142	"	"	Clevis Cap
2	23N143	"	"	Rod Cap
3	23N144	"	"	Piston
4	23N145	"	"	Rod
5	23N146	"	"	Cylinder Tube
6	23N147	"	"	Tie Rod
7	23N148	"	"	Piston Nut
8	23N149	"	"	Plug
9	23N150	"	"	Rod Clevis
10	23N151	"	"	Seal Kit
11	23N111	"	"	Hydraulic Cylinder

NOTE: " (SAME PART NO. AS MODEL 310)

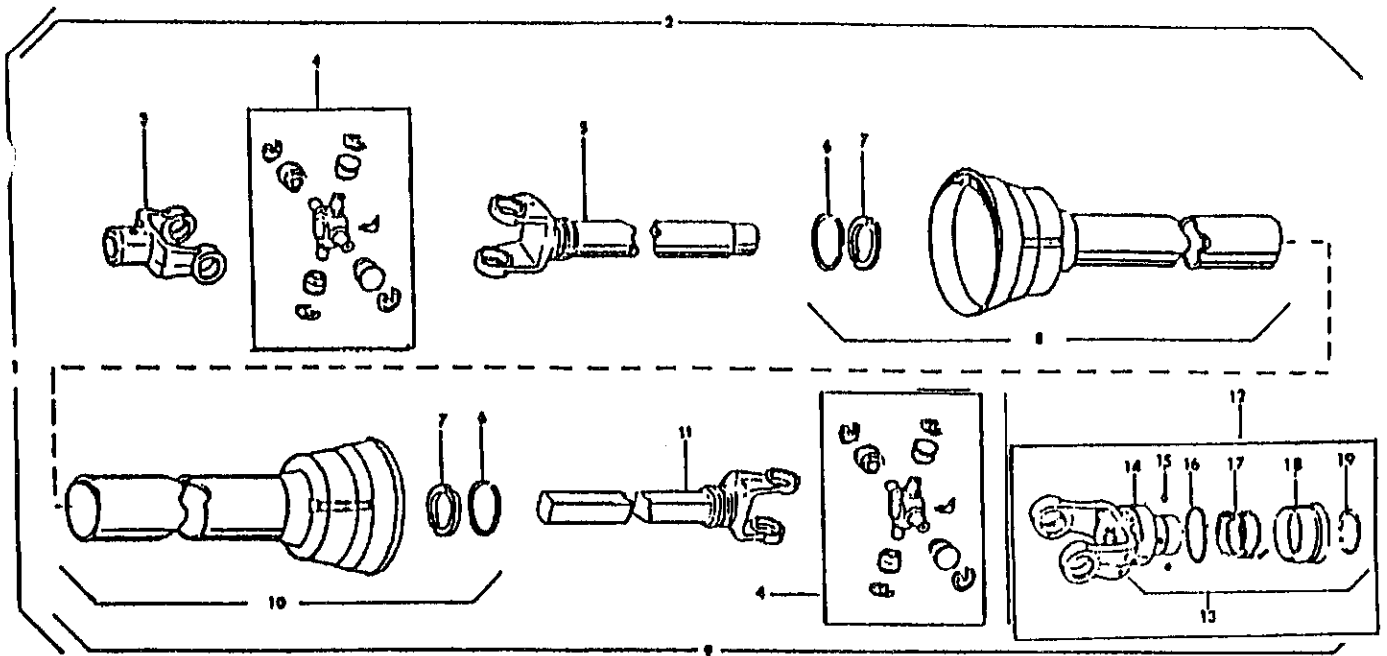


FIGURE 11
H&S MODELS 310, 370 & 430
PTO ASSEMBLY
SPREADER MODEL & PART NO.

ITEM	310	370	430	DESCRIPTION
1	23N152	"	"	PTO Assembly Complete w/Shields
2	23N153	"	"	Machine Half PTO w/Shield
3	G1R35	"	"	End Yoke Machine Half
4	14NW KIT	"	"	Repair Kit
5	23N155	"	"	Yoke and Tube
6	24N26	"	"	Bearing Retainer
7	4N20	"	"	Nylon Bearing
8	23N156	"	"	Inner Guard Including Item #6 & #7
9	23N157	"	"	Tractor Half PTO w/Shield
10	23N158	"	"	Outer Guard Including Item #6 & #7
11	23N159	"	"	Yoke and Shaft
12	23N162	"	"	Lock Yoke Assembly
*	37N73	"	"	Optional 1000 RPM Yoke
13	S225	"	"	Spring Lock Repair Kit
14	S226	"	"	Cover
15	S212	"	"	Stainless Ball
16	S227	"	"	Washer
17	S228	"	"	Spring
18	S229	"	"	Collar Assembly
19	S215	"	"	Retaining Ring
*	S402	"	"	PTO Safety Manual

NOTE: "(SAME PART NO. AS MODEL 310)
*** (MEANS NOT SHOWN)**

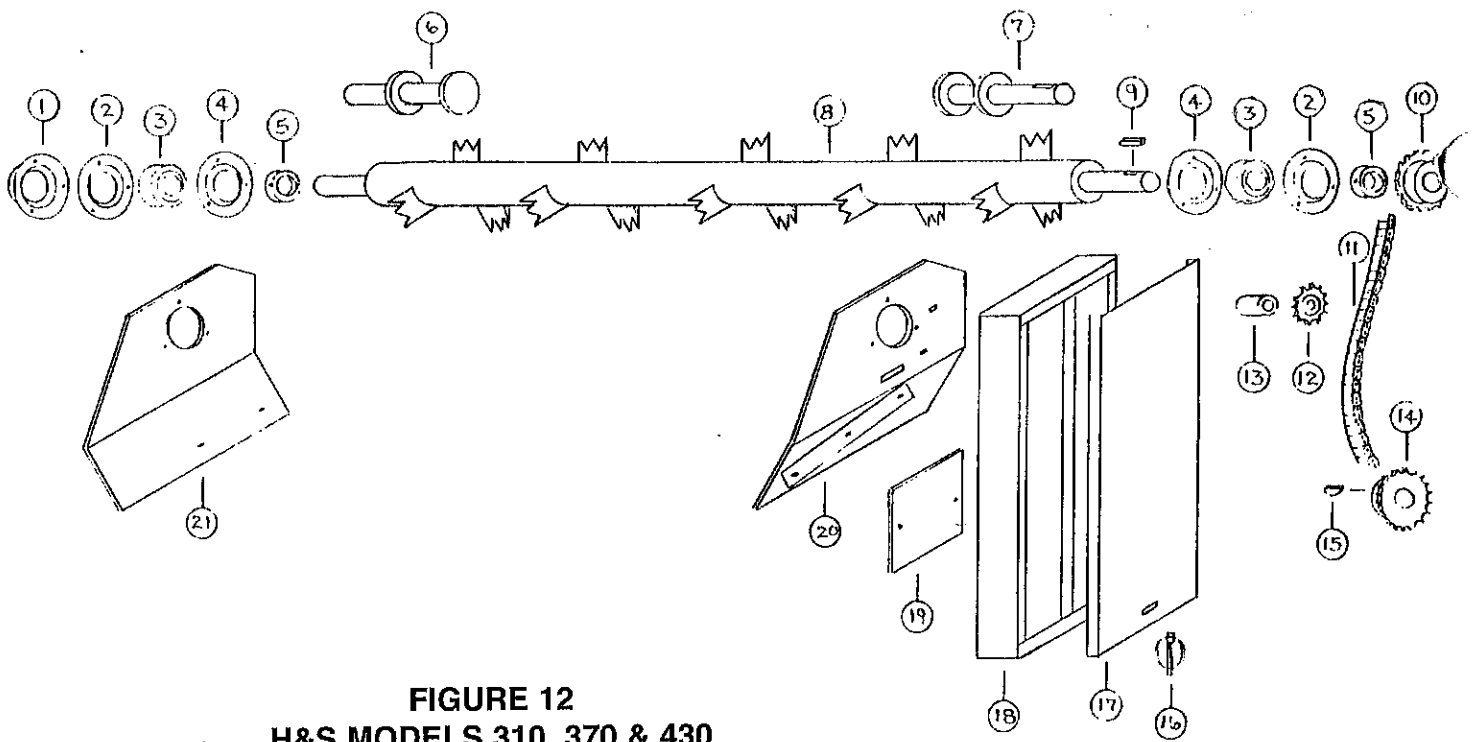


FIGURE 12
H&S MODELS 310, 370 & 430
OPTIONAL 2ND BEATER
SPREADER MODEL & PART NO.

ITEM	310	370	430	DESCRIPTION
1	F95	"	"	Bearing Flange Guard
2	F114	"	"	Bearing Flange w/Zerk
3	F115	"	"	Bearing
4	F14	"	"	Bearing Flange
5	F16	"	"	Lock Collar
6	23N164	"	"	LH Stub Shaft
7	23N165	"	"	RH Stub Shaft
8	23N166	"	"	2nd Beater
9	G23	"	"	5/16" x 1-3/8" Square Key
10	D18	37N71	37N71	Sprocket
11	23N167	37N49	37N49	#60 Chain
12	12N42	"	"	Idler Sprocket
13	23N168	-	-	Spacer
14	F13	37N70	37N70	Sprocket
15	5B9	"	"	3/8" x 1-1/4" Key
16	F56	"	"	Clip Pin
17	23N169	"	"	Cover
18	23N170	37N48	37N48	Shield
19	23N171	37N45	37N45	Shield
20	23N172	37N46	37N46	RH Panel
21	23N173	37N47	37N47	LH Panel

NOTE: ~ (SAME PART NO. AS MODEL 310)

- (PART IS NOT USED ON THIS MODEL)